



 **PLADECK[®]**
POLYMER CONCRETE MOULDING SYSTEMS



WHAT IS PLADECK ? APPLICATION AREAS

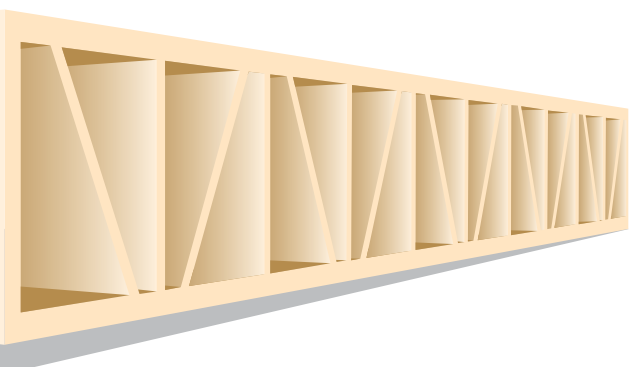
Pladeck is a polymer product developed for concrete moulding in columns, floors, joists and all kinds of concrete mouldings. Pladeck is an ideal alternative product with its suitable cost, in compare to other concrete moulding systems such as plywood.



PATENT NO: 2006 • 01395



Mechanical properties of Pladeck are not dependent on duration of load. Different loads do not cause Pladeck to deform. Pladeck is non-flammable and not affected by water, humidity and weather conditions.



revolution in concrete moulding
www.pladeck.com

ADVANTAGES OF PLADECK



- 1 - The obtained surface is smooth with less flaws. It is ready for plastering of parish and painting.

- 2 - Pladeck is a light product which is easy to carry during mounting and dismantling.



- 3 - According to project requirements, Pladeck can be produced in different lengths.

- 4 - Pladeck is easily separated from concrete without using of any moulding oil which decreases cost and also prevent negative effects on concrete adherence due to the interaction of oil and iron.





5 - Pladeck is resistant to nailing, drilling and cutting effects. It is recommended using special wide capped Pladeck nail for ideal application.



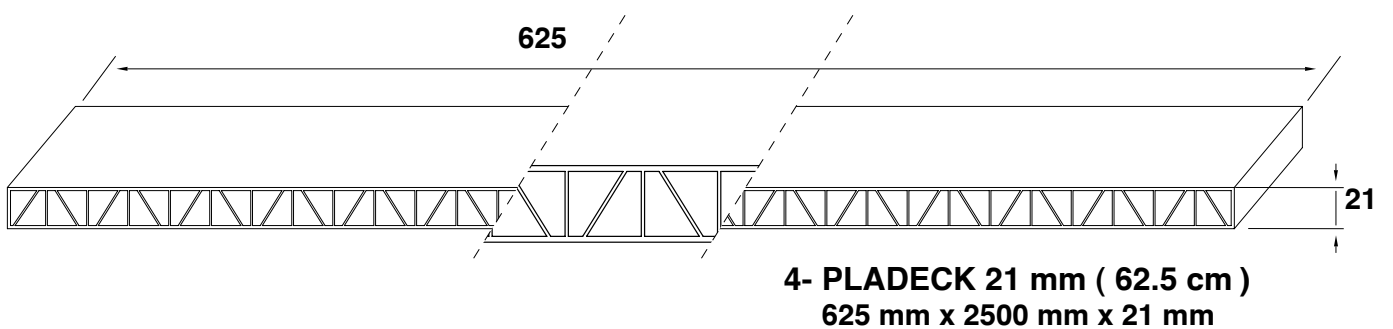
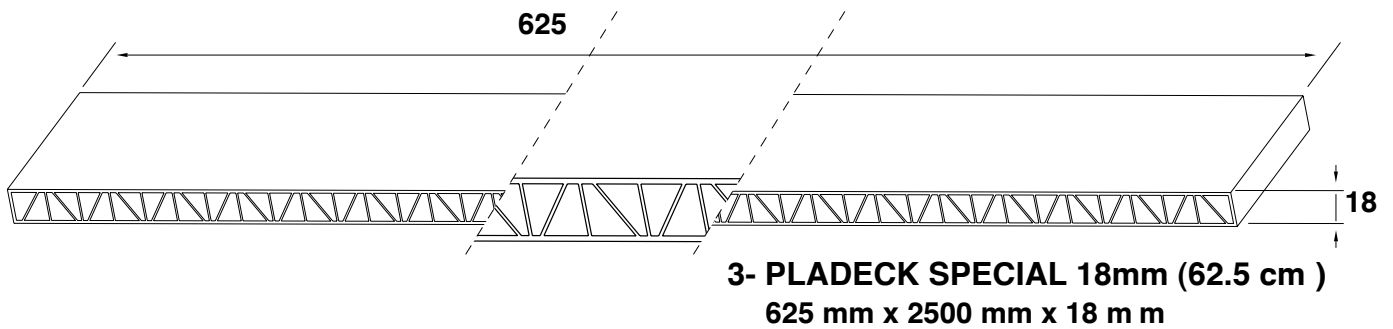
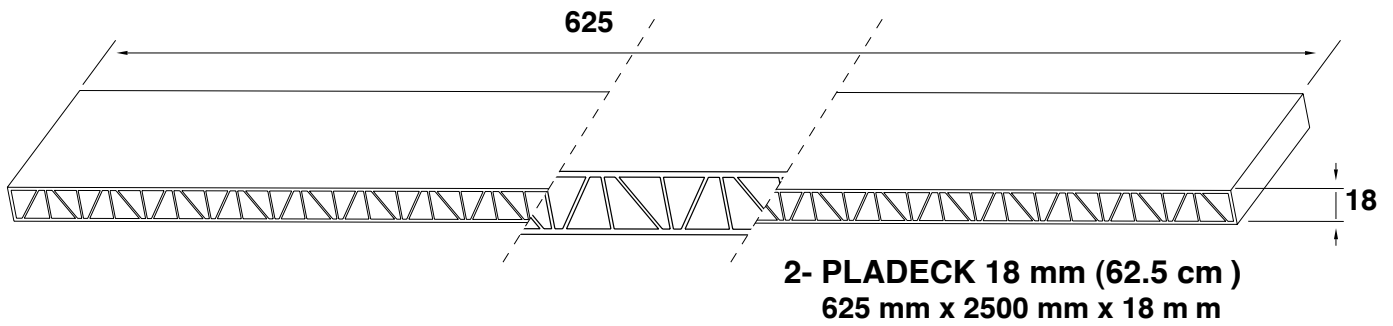
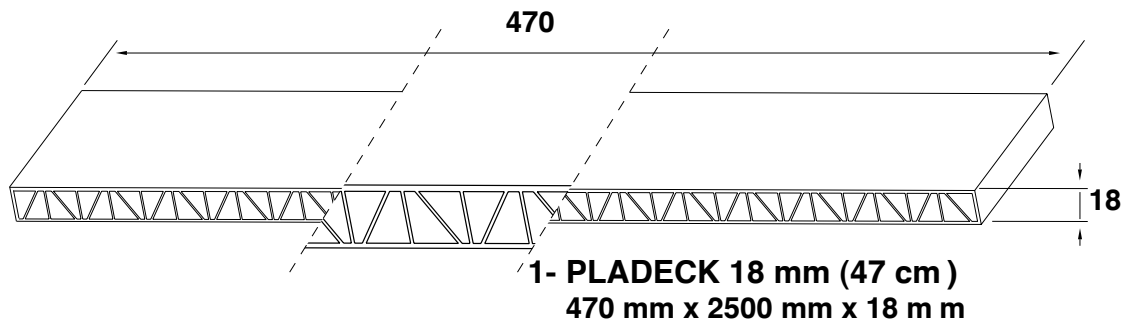
6 - Unlike plywood, it does not need to paint Pladeck with epoxy dye to get rid of water absorption.

- 7 - Pladeck is a long-life product. The number of re-use is larger than plywood's.
- 8 - The most important thing about Pladeck is to be a recyclable product. After last re-use, waste material and even small parts can be returned back to PVC waste producers.
- 9 - There is no cutting any trees to make Pladeck.

Not recyclable wastes Plywood.
(An example in a construction site)



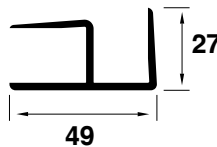
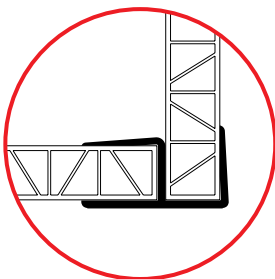
PLADECK MAIN PROFILES



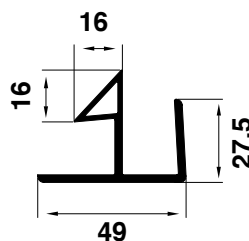
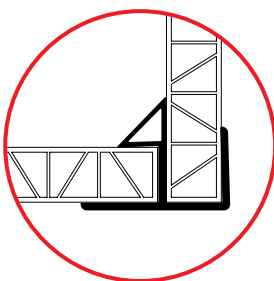
Note : Measurements in mm.

SIDE PRODUCTS

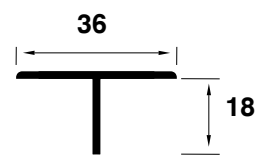
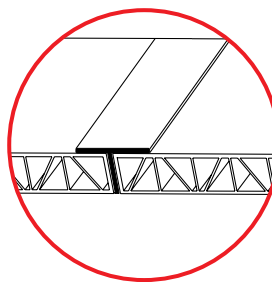
6- PLADECK CORNER PROFILE



7-PLADECK CHAMBERED CORNER PROFILE



8- PLADECK T PROFILE



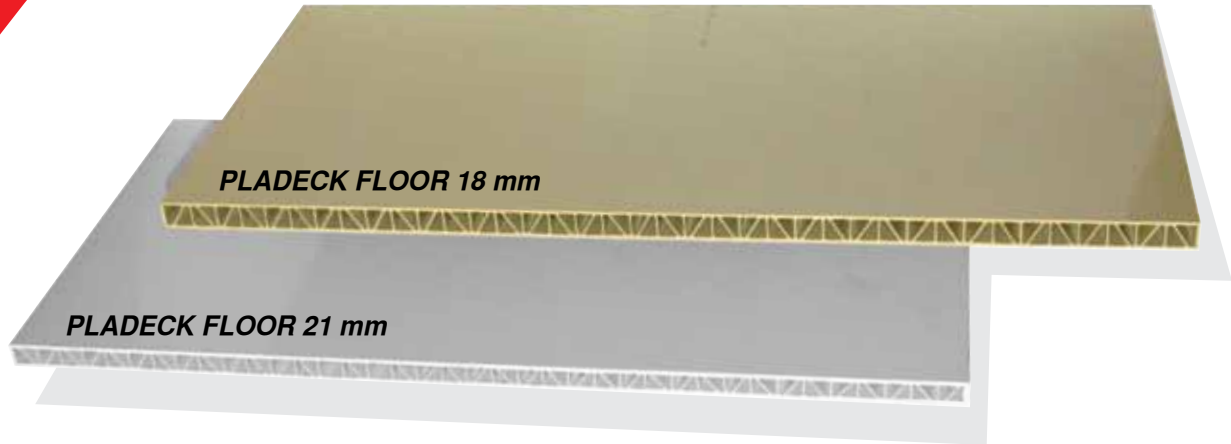
10 - PLADECK NAIL
Special Pladeck nail
(wide capped)



Note : Measurements in mm.

PRODUCTION AND PACKAGING

Our production is carried out in modern sites, with warranty of international quality standards ISO 9001 and ISO 14001.



PLADECK 62,5

Plate Sizes	: 625 x 2500 x 18 mm
1 Plate area	: 1,5625 m ²
1 Package	: 4 Plate (6,25 m ²)
1 Bale	: 15 Package (60 Plate) (93,75 m ²)
1 Pallet	: (30 Package = 120 Plate = 187,5 m ²)
1 Truck	: 15 Pallet (1800 Plate = 2800 m ²)

PLADECK FLOOR 21 mm

Plate Sizes	: 625 x 2500 x 21 mm
1 Plate area	: 1,5625 m ²
1 Bale	: 52 Plate (81,25 m ²)
1 Pallet	: 104 Plaka (162,5 m ²)
1 Truck	: 15 Pallet (2437.5 m ²)

PLADECK SPECIAL 62,5

Plate Sizes	: 625 x 2500 x 18 mm
1 Plate area	: 1,5625 m ²
1 Package	: 4 Plate (6,25 m ²)
1 Bale	: 11 Package (44 Plate) (68,75 m ²)
1 Pallet	: 2 Bale (22 Package = 88 Plate = 137,5 m ²)
1 Truck	: 15 Pallet (1320 Plate = 2060 m ²)

PLADECK 47

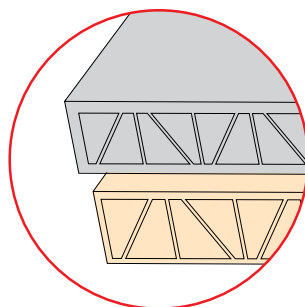
Plate Sizes	: 470 x 2500 x 18 mm
1 Plate area	: 1,175 m ²
1 Package	: 4 Plate (4,75 m ²)
1 Bale	: 15 Package (60 Plate) (70,5 m ²)
1 Pallet	: 2 Bale (30 Package = 120 Plate = 141 m ²)
1 Truck	: 20 Pallet (2400 Plate = 2820 m ²)



Loading



Packaging



4 plates wrapping



1 Pallet

DETERMINING MECHANICAL PROPERTIES OF PLADECK POLYMER CONCRETE MOULDING SYSTEMS AND PREPARING TABLES FOR APPLICATION

TECHNICAL REPORT

- In case of vertical applications (columns etc...) of PLADECK SPECIAL: with 3-mm-thickness and 30 m/h concrete loading speed, fresh concrete pressure on the mould surface will be 75 kN/m². In this case, deflections formed in 30-cm-support-gap are within the defined limits.
- In comparison with wooden moulds, Pladeck does not absorb water. Therefore, less water will be used in concrete hydration. This will affect positively the durability of concrete.
- Pladeck moulding systems can be used safely by using tables and graphics obtained from this experimental study.

SUBJECT

Determining mechanical properties of Pladeck polymer concrete moulding systems and preparing tables for application.

PURPOSE

Experiments have been carried out in material laboratories of Istanbul Technical University at the Faculty of Construction to determine mechanical properties of Pladeck polymer concrete moulding system. Experiments are classified in two groups. In the first group: characteristic properties are determined such as elasticity module, endurance against leakage and rupture. In the second group: loading experiments are done on different support gaps to obtain loading capacity and deflection values. Characteristic values obtained from those experiments are used in theoretical calculations to form the calculation tables.

Loading experiments

Loading experiments are done on Pladeck plates with 18-mm-thickness and 62,5-cm-width. Flexure experiments are done to obtain flexure values in vertical and horizontal applications. In both cases, experiments are carried out with 3 examples of 3 different support gaps.



Way of effective application

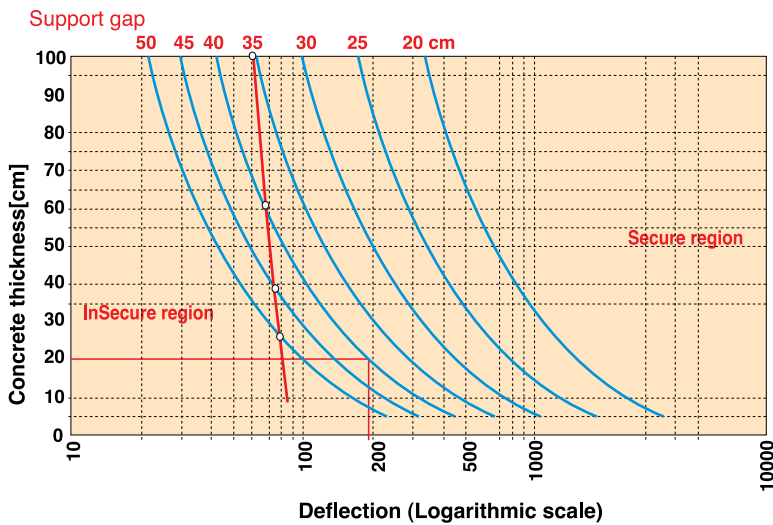
Flexure experiments on different support gaps are done to obtain flexure values in vertical application. Therefore, important structural properties such as load interchange, maximum vertical load values, deflection values and collapse shapes are obtained.

As a result, it is accepted that support is applied vertically in order to achieve an effective application of Pladeck.

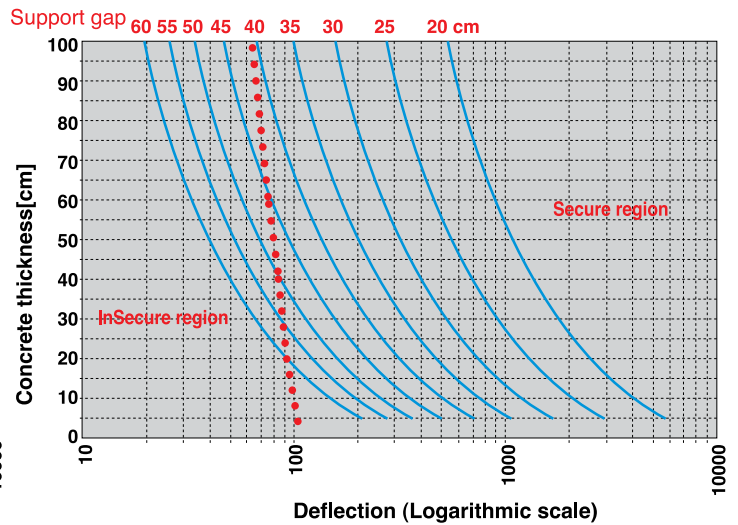
SECURE USAGE TABLES WHEN USED AS FLOOR COVERING MOULD

FLOOR COVERING CLASS 1 Floors with template, industrial grounds

Pladeck floor



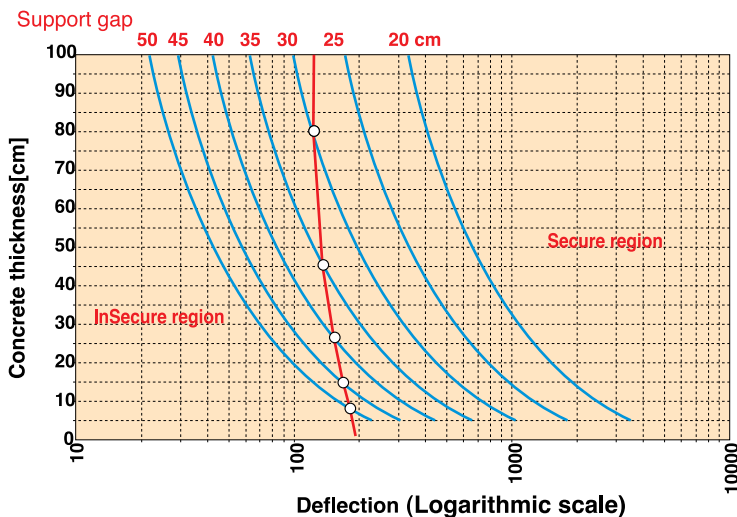
Pladeck special



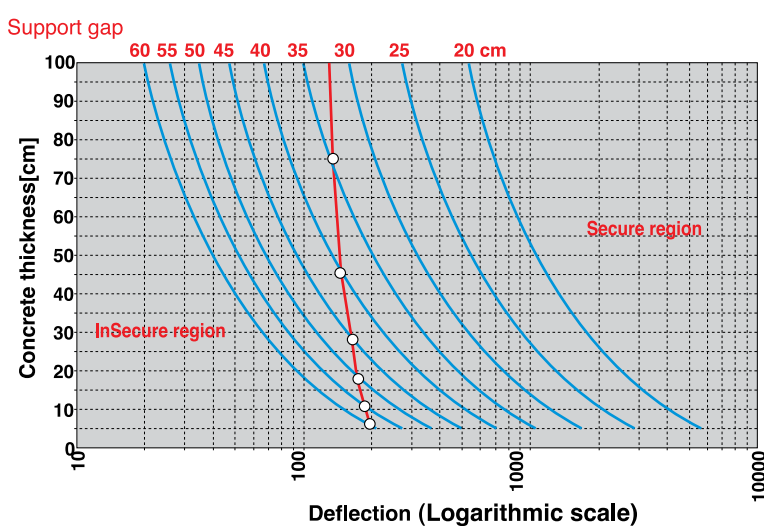
FLOOR COVERING CLASS 2

Coated floors, clad surfaces, ceramic coated floors, adhesion surfaces

Pladeck floor

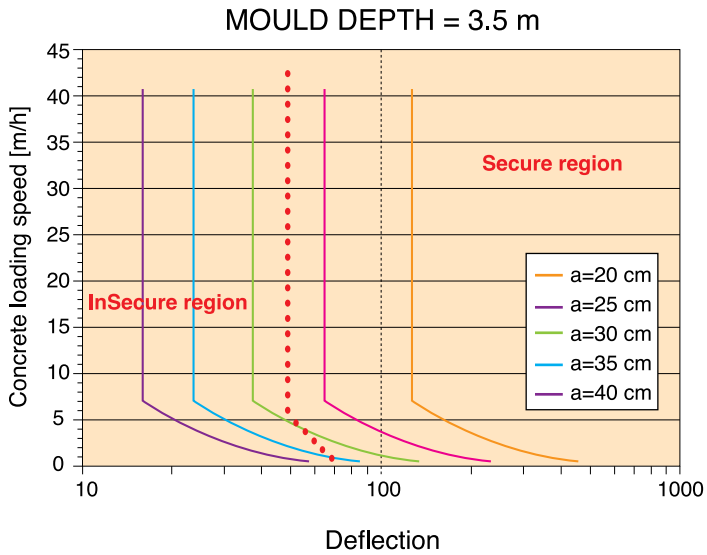


Pladeck special

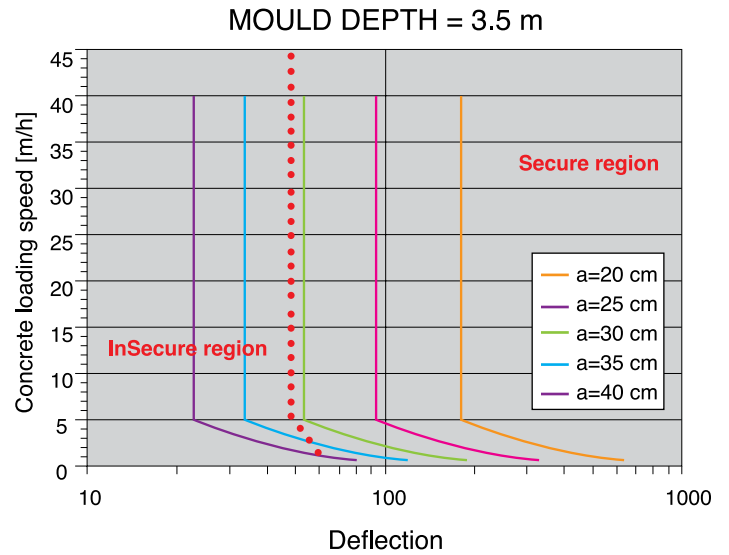


SECURE USAGE TABLES WHEN USED AS VERTICAL CONCRETE MOULD

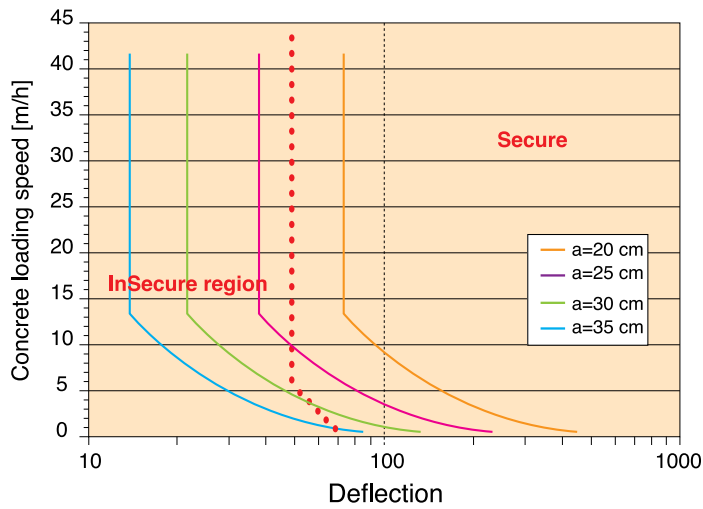
Pladeck



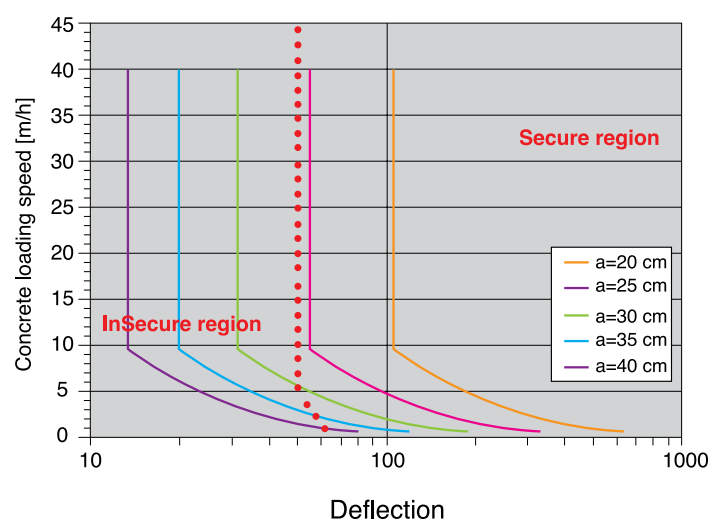
Pladeck special



MOULD DEPTH = 6.0 m



MOULD DEPTH = 6.0 m





PLADECK®

POLYMER CONCRETE MOULDING SYSTEMS



WINTech TURKEY

ISTANBUL
Mahmutbey Taşocağı Yolu No.7
Bağcılar - İstanbul / TÜRKİYE
Tel : +90 212 445 16 00
Fax : +90 212 446 42 02
www.wintechpvc.com

WINTech RUSSIA

MOSCOW
Wintech Plastic Limited 142277
Russia Moscow Region,
Serpuhov District Radionovka
Village, Building 1
Tel : +7 (4967) 37-93-07
Fax : +7 (4967) 37-90-15
www.wintech.ru • info@wintech.ru

WINTech UKRAINE

KIEV
Ukraine, 07442, Kievskaya
Oblast, Brovarskii Raion,
Selitche Miskogo Tipu
Velika Dimerka, Vultsya
Radgospna, Budinok 38.
Tel : +38 044 944 70 90 - 91 - 92
Fax : +38 044 944 70 93
www.wintechpvc.ua

WINTech GERMANY

HANNOVER
Hermonatel 5 D-30926 Seelze
Deutschland
Tel : +49 5137-821080
Fax : +49 5137-8211980
www.wintechps.de
info@wintechps.de

WINTech AZERBAIJAN

BAKU
Baki Şehəri Nerimanov Reyvanı
Küçü 1222 Ev 12 Baku
Tel : +00 994 12 448 06 34
Fax : +00 994 12 448 06 35
www.plaspen.az
plaspenbaku@plaspen.com.tr

WINTech INDIA

HYDERABAD
Administrative Office
No. 6-3-569/1/7/4,
Rock Dale Compound,
Samajiguda, Hyderabad
500 082 - INDIA
Tel : +91 40 42211000
www.nclwintech.com

WINTech TUNISIA

SILIANA
Ain Gharsallah 6120
El Krib - Siliana
Tunisie
Tel : +216 78 87 44 88
Fax : +216 78 87 44 86
www.wintech.tn
info@wintech.com.tn

WINTech FRANCE

LYON
170, Boulevard Stalingrad
69006 / Lyon
Tel : +33 (0) 4 78 94 68 97
Fax : +33 (0) 4 78 94 80 45
www.wintechpvc.fr

WINTech POLAND

ŁÓDŹ
Sp. z o.o. 91-364 Łódź, ul.
Zgierska 250/252, POLAND
Tel : +0048 42 6588100
Fax : +0048 42 6588101
www.wintechpvc.pl
www.adopenpolska.pl
info@wintechpvc.pl

WINTech ROMANIA

BUCHAREST
Soseaua Olenitei no.204
Popesti - Leoneni / JUDEȚUL
Tel : +00 40 21 361 18 17
Fax : +00 40 21 361 18 16

WINTech ROMANIA

TIMISOARA
Giarmata, Calea Lipovei, Km 10,
Dreapta, Judetul Timis, ROMANIA.
Tel : +40 256 3688 68
Fax : +40 256 3688 87
www.wintechpvc.com
www.wintechpvc.ro

WINTech IRAN

TEHRAN
5th floor, No.9, Negarestan-2 St
(kashiha), Pasdaran Ave,
TEHRAN/IRAN
Tel : +98 21 22 88 81 41 (pbx)
Fax : +98 21 22 89 03 50
www.wintechpvc.ir
info@wintechpvc.ir

WINTech

DUBAI
Jebel Ali Free Zone, FE - 06
PO Box 261113, Dubai
United Arab Emirates
Tel : +971 4 8873773
Fax : +971 4 8873730
wintech@emirates.net.ae
karakoy@emirates.net.ae
www.wintechpvc.com

WINTech KAZAKHSTAN

AKTAU
Mangituskaya Obl. 29-A
Mikroraion Azc "Gularsa" 1. Etaj,
AKTAU / KAZAKHSTAN
Tel : +7 (7292) 203384
wintechaktai@mail.kz
www.wintechpvc.com

WINTech KAZAKHSTAN

ALMATI
Ul. Nurmakova La 050026
ALMATI / KAZAKHSTAN
Tel : +7 (727) 3792227
wintechalmaty@mail.kz
www.wintechpvc.com